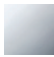



20 713 710



- 155mm projection
- fixed spout
- circular, air-enriched flow
- height of mixer 114 mm
- height up to aerator 90 mm
- hole diameter valve 32 mm
- hole diameter spout 35 mm
- rosette 47 x 55 mm
- 2x screw-in M 8 x 1 pressure hose, leak-tested
- max. flow 7 l/min
- lead-free
- WRAS 1906089
- This product can help a building meet the requirements of Green Building Rating Systems, e.g. LEED®, BREEAM®, DGNB

Only suitable for basins with an overflow.

	Chrome	20 713 710-00
	Brushed Platinum	20 713 710-06

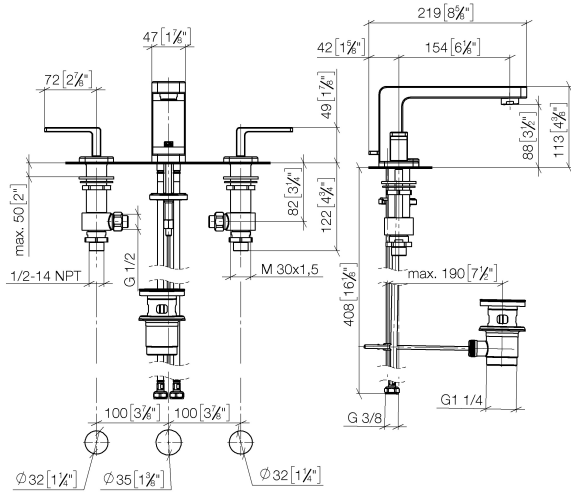
Recommended miscellaneous



High pressure hoses - 12 506 970 90
 • 2x 3/8" x 1/2" x 500mm high pressure hose

20 713 710

mm [inches]



Flow rate chart

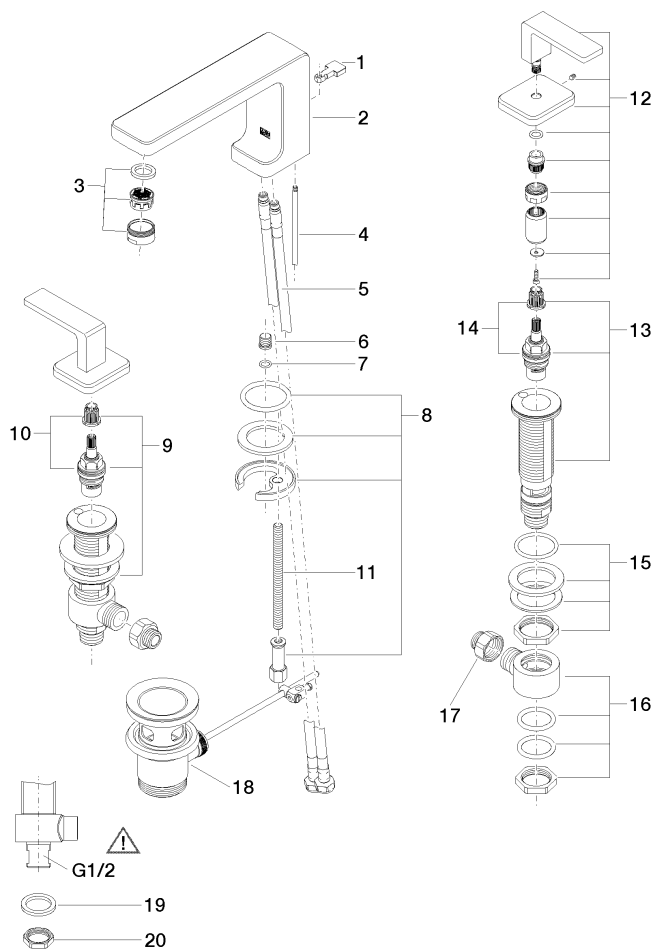


Certificates

LGA_19546.

WRAS_1906089.

20 713 710



Spare parts list

No.	Item Number	Name	Quantity used	Delivery time
1	09 20 71 033-00	handle	1	10
2	09 11 71 095 10-00	spout	1	10
3	90 23 01 118 01-00	aerator	1	10
4	09 31 09 080-00	pull-rod	1	10
5	04 30 04 100 00 90	hose	2	2
6	09 31 20 065 90	plug	1	2
7	90 14 10 060 00 90	seal	1	2
8	04 30 11 038 75 90	fixing set	1	2
9	04 17 11 058 53 90	side panel	1	2
10	90 90 03 153 00 90	top	1	2
11	09 31 11 012 90	pin	1	2
12	90 20 71 046 01-00	handle	2	10
13	04 17 11 058 52 90	side panel	1	2
14	90 90 03 152 00 90	top	1	2
15	04 23 10 032 78 90	fixing set	2	2
16	04 17 11 023 10 90	distributor	2	2
17	09 24 03 185-00	nipple	2	10
18	90 11 01 001 00-00	pop-up waste	1	10
19	09 30 11 059 90	disc	2	2
20	09 23 10 012 90	nut	2	2